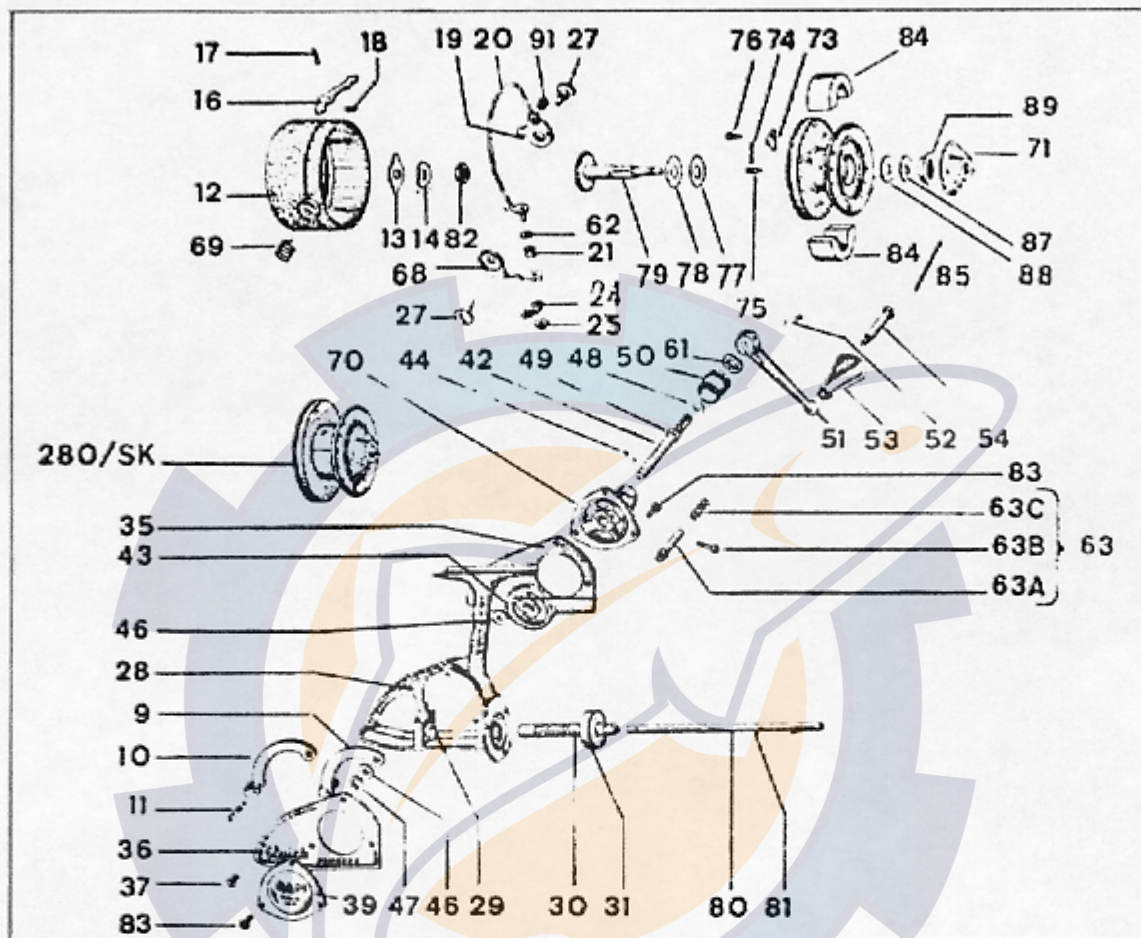


620 TERMINAL WAY • P. O. BOX 938 • COSTA MESA, CALIFORNIA 92627 • (714) 642-1163



IMPORTANT: AN "N" SERIES QUICK SPOOL WILL NOT FIT THIS REEL.

FIG. NO.	PART NO.	DESCRIPTION	PRICE	FIG. NO.	PART NO.	DESCRIPTION	PRICE
9	100-504	Lever arm for left hand cranking		53	100-149	Handle grip	
10	100-514	Lever arm for right hand cranking		54	100-051	Grip screw	
11	100-505	Screw for lever arm		61	100-073	Spring ring for P/N 50 & 51	
12	100-468	Flange with stop lever bearing With parts 16, 17, 18		62	100-481	Plastic washer for P/N 21	
13	100-107	Washer		63	100-010	Anti reverse clutch	
14	100-070	Spring ring		63A	100-010	Anti reverse pin	
16	100-470	Stop lever		63B	100-011	Ball lever	
17	100-472	Bearing pin		63C	100-012	Spring	
18	100-474	Drag spring		68	100-476	Angle lever	
19	100-109	Rubber buffer		69	100-061	Ball spring	
20	100-477	Pickup arm		70	100-444	Bearing cover	
21	100-019	Line guide		71	100-488	Brake nut	
24	100-069	Lock washer		73	100-014	Ratchet	
25	100-482	Plain nut		74	100-016	Ratchet spring	
27	100-476	Bearing screw		75	100-017	Stop pin	
28	100-516	Housing - refer to 285/330 Schematic		76	100-015	Rivet	
29	100-132	Bushing		77	100-087	Washer Resitex	
30	100-179	Driving shaft		78	100-086	Washer, metal	
31	100-176	Ball bearing		79	100-493	Brake spindle	
35	100-465	Case cover, left		80	100-506	Axle - refer to 285/330 Schematic	
36	100-464	Case cover, right		81	100-041	Pin	
37	100-026	Half round screw for case cover		82	100-024	Hexagon nut	
39	100-508	Plate cover		83	100-027	Screw	
42	100-154	Driving axle		84	100-495	Cork ring (pair)	
43	100-501	Screw wheel		87	100-104	Washer, metal	
44	100-038	Pin for screw wheel		88	100-486	Washer, fiber	
46	100-098	Washer for P/N 45		89	100-487	Plastic bushing	
47	100-078	Spring ring for P/N 45		91	100-112	Cover cap	
48	100-097	Washer for P/N 42			280 SK	N/A - use 330 SK with 330 axle conversion noted on 285/330	
49	100-072	Spring ring for P/N 42			***		
50	100-134	Handle nut			100-515	Spool box, plastic	
51	100-185	Crank arm					
52	100-045	Pin for crank arm					